



PRAN ELECTRONICS PVT. LTD.

52, GIDC, Makarpura, Vadodara - 390 010. India.
Phone : +91 - 265 - 263 2916, 263 5920 Fax : + 91 - 265 - 263 5918
E-mail : info@pranelectronics.com Web : www.pranelectronics.com

AN ISO 9001:2000 COMPANY

Modular Jacks 623K: Code: JL-623K-6P6C / JL-623K-6P4C / JL-623K – 6P2C

Description: Wired Modular Jack 623K

Sr.	Item	Test Conditions	Criteria
ELECTRICAL SPECIFICATONS			
1.	Contact Resistance	Voltage drop Method 5 VDC, 10mA	40 milli Ohms Maximum
2.	Proof Voltage	1000 VAC Duration: 1 Minute	No breakdown
3.	Insulation Resistance	500 VDC Duration: 1 Minute	100 Mega Ohms Minimum
MATERIAL SPECIFICATONS			
4.	Housing	Thermoplastic Colour Black, Grey (Standard), White	Proper molding
5.	Contact Material	Phosphor Bronze	0.45 dia. +/- 0.01mm
6.	Contact Plating	Gold Plating	Gold Plating
7.	Wire	PVC 7 x 0.16mm(+/- 0.01mm) Twisted and Tinned copper	Wire Size, Colour and length
MECHANICAL SPECIFICATONS			
8.	Mating Force	6 Contacts – 750 grams 4 Contacts – 500 grams 2 Contacts - 350 grams	750 grams 500 grams 350 grams
9.	Retention Force	Between Jack and Plug	7.7 Kgs.
10.	Crimp Tensile Strength	Between Contact Wire and PVC Wire	2.27 Kgs. Minimum
ENDURANCE SPECIFICATION			
11.	Operating Life	5 VDC at 5 mA, resistive load Rate of operation: 2 to 3 operations per second Cycles of Operation: 500	Minimum 500 Cycles

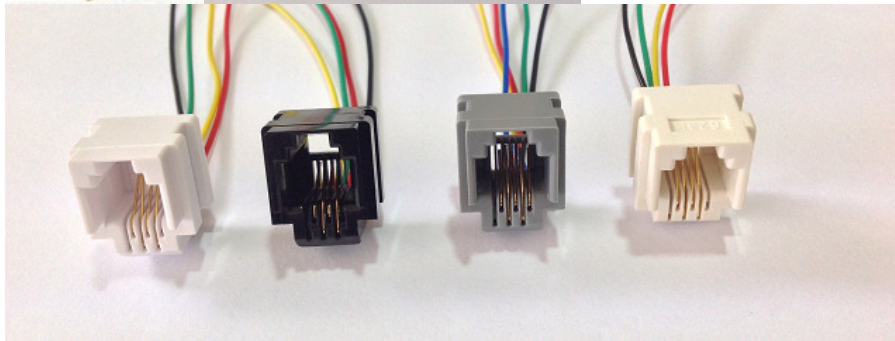
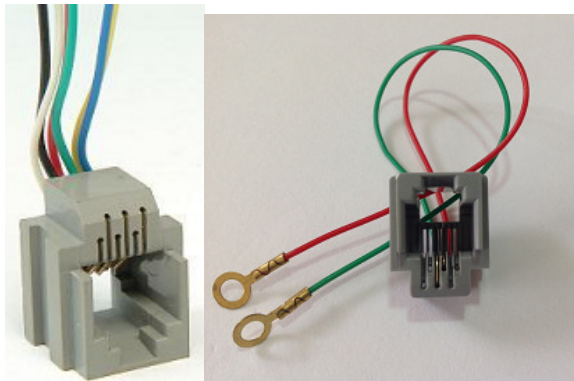
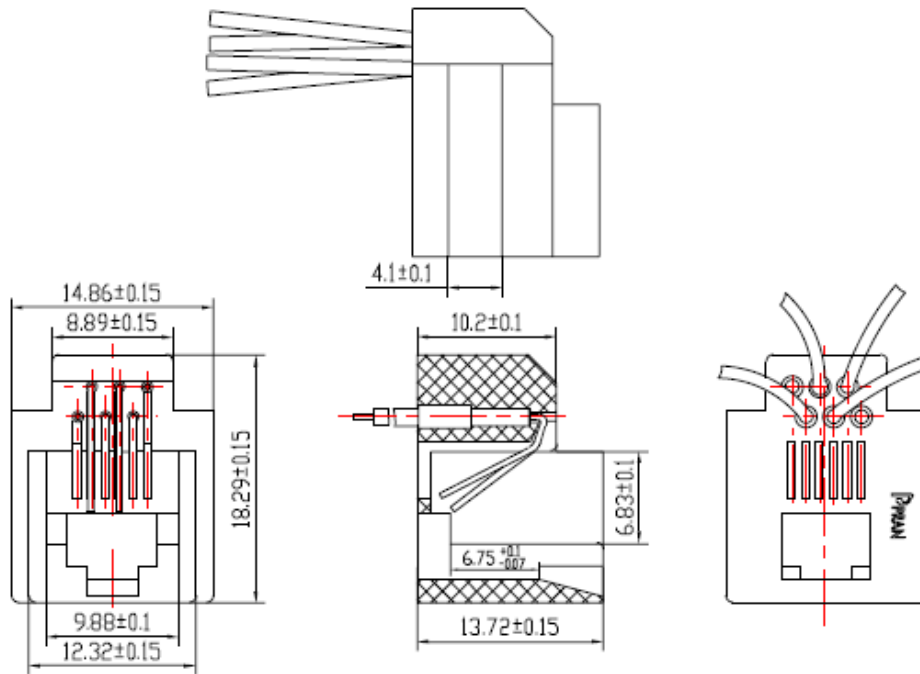


PRAN ELECTRONICS PVT. LTD.

52, GIDC, Makarpura, Vadodara - 390 010. India.
Phone : +91 - 265 - 263 2916, 263 5920 Fax : + 91 - 265 - 263 5918
E-mail : info@pranelectronics.com Web : www.pranelectronics.com

AN ISO 9001:2000 COMPANY

Modular Jacks 623K: Code: JL-623K-6P6C / JL-623K-6P4C / JL-623K – 6P2C
Description: Wired Modular Jack 623K





PRAN ELECTRONICS PVT. LTD.

52, GIDC, Makarpura, Vadodara - 390 010. India.
Phone : +91 - 265 - 263 2916, 263 5920 Fax : + 91 - 265 - 263 5918
E-mail : info@pranelectronics.com Web : www.pranelectronics.com

AN ISO 9001:2000 COMPANY

Modular Jacks 616E, 616W, 616M:

Detail specifications and test conditions.

Description: Wired Jack 616E/M/W wire lengths and wire colour as per customer drawing.

Code: JL-616E-4P4C / JL-616W-4P4C / JL-616M-4P4C

Sr. No.	Item	Test Conditions	Criteria
ELECTRICAL SPECIFICATONS			
1.	Contact Resistance	Voltage drop Method 5 VDC, 10mA	40 milli Ohms Maximum
2.	Proof Voltage	1000 VAC Duration: 1 Minute	No breakdown
3.	Insulation Resistance	500 VDC Duration: 1 Minute	100 Mega Ohms Minimum
MATERIAL SPECIFICATONS			
4.	Housing material	ABS/PC or Alloy Grey	Thermoplastic
5.	Contact Material	Phosphor Bronze	0.45 dia. +/- 0.01mm
6.	Contact Plating	Gold plating	Gold Plating
7.	Wire	PVC 7 x 0.16mm(+/- 0.01mm) Tinned Copper	Wire Size, Colour and length
MECHANICAL SPECIFICATONS			
8.	Mating Force	4 Contacts – 500 Grams	500 Grams
9.	Retention Force	Between Jack and Plug	7.7 Kgs.
10.	Crimp Tensile Strength	Between Contact Wire and PVC Wire	2.27 Kgs. Minimum
ENDURANCE SPECIFICATION			
11.	Operating Life	5 VDC at 5 mA, resistive load Rate of operation: 2 to 3 operations per second Cycles of Operation: 600	Minimum 600 Cycles

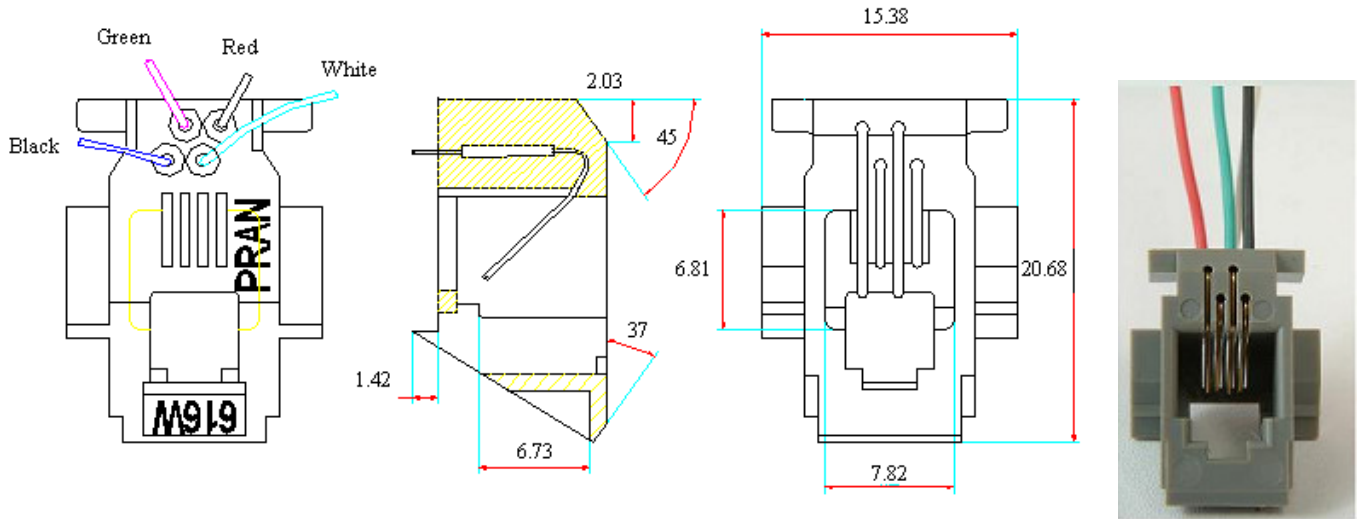


PRAN ELECTRONICS PVT. LTD.

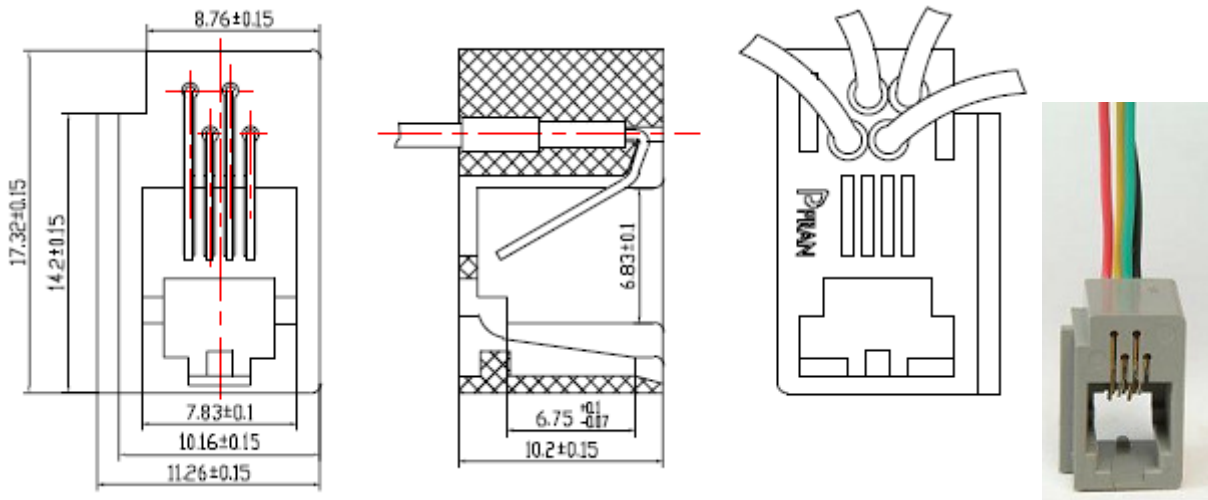
52, GIDC, Makarpura, Vadodara - 390 010. India.
Phone : +91 - 265 - 263 2916, 263 5920 Fax : + 91 - 265 - 263 5918
E-mail : info@pranelectronics.com Web : www.pranelectronics.com

AN ISO 9001:2000 COMPANY

616W DIMENSIONS:



616E DIMENSIONS:



616M DIMENSIONS:

